

# AmeriGlide Hercules Mini VPL Approval Drawings

## TOWER LOCATION (180° Configuration)

### 1. Lifting Height:

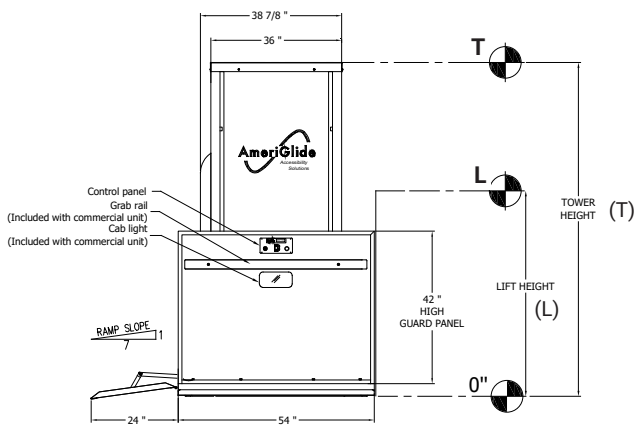
T	L
○ 58"	○ 0 to 30"

L = Lifting Height

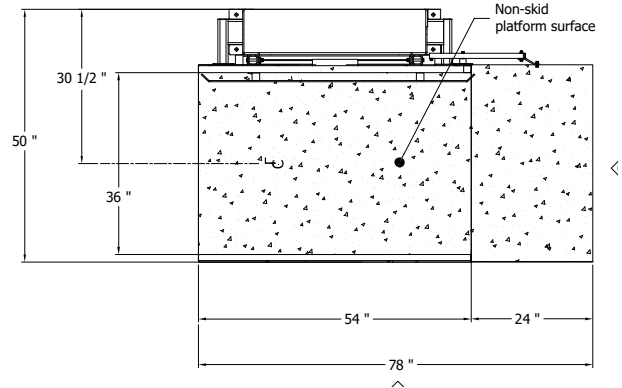
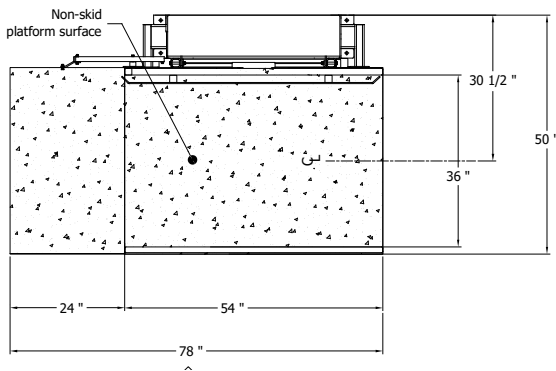
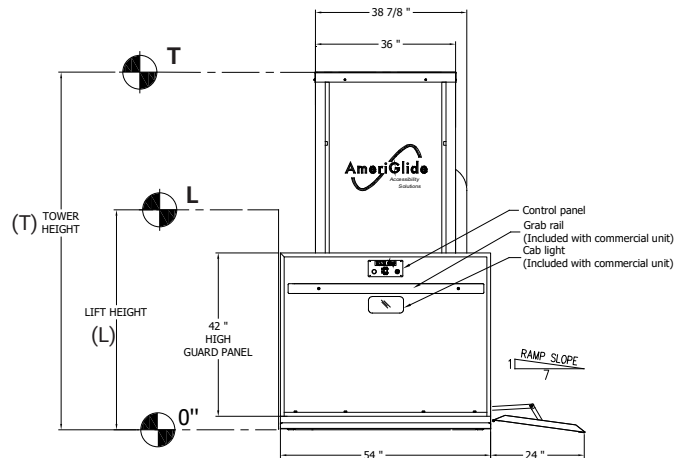
T = Tower Height

### 2. Configuration

○ LEFT HAND



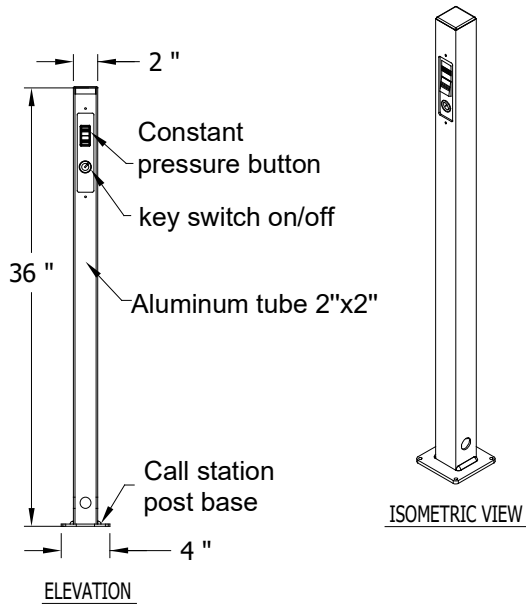
○ RIGHT HAND



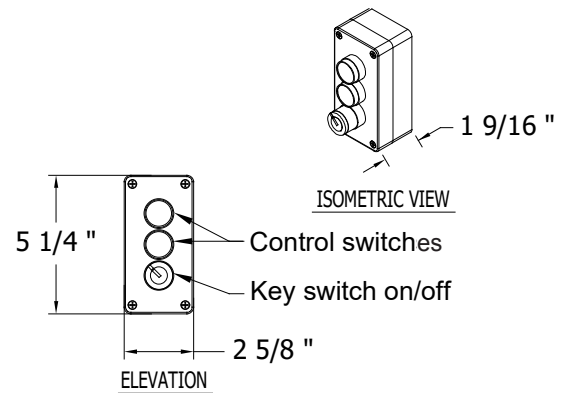
### Notes

- 1 Platform lift, upper landing door/gate and interlock(s) must be installed by a trained and authorized installer.
- 2 All work and materials must comply to local laws and regulations.
- 3 This vertical platform lift is designed and built by AmeriGlide in accordance with the following codes: A18.1 2014 (See A18.1 Table 1.5-1), A117.1 2009, NFPA 70 2017.

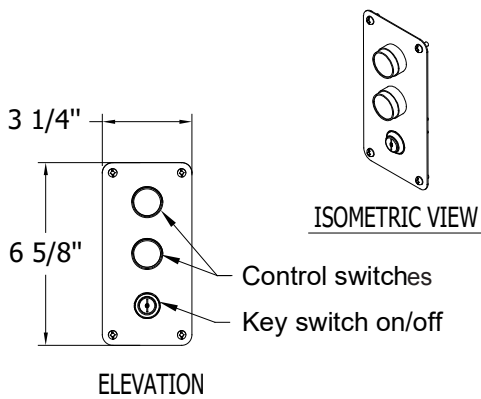
# CALL STATION TYPES



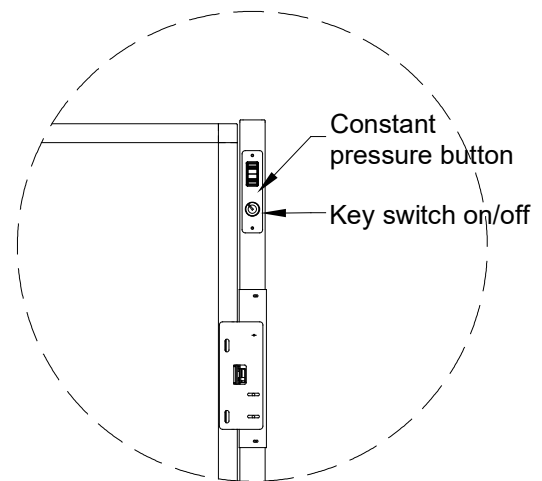
**POST MOUNTED**



**SURFACE MOUNTED**



**WALL MOUNTED**



**MOUNTED ON FRAME**

## 2.1 Lower Landing Call Station

- CALL STATION POST MOUNTED
- CALL STATION SURFACE MOUNTED
- CALL STATION WALL MOUNTED
- NOT SUPPLIED BY AMERIGLIDE

## 2.2 Upper Landing Call Station

- CALL STATION POST MOUNTED
- CALL STATION SURFACE MOUNTED
- CALL STATION WALL MOUNTED
- CALL STATION MOUNTED ON FRAME
- NOT SUPPLIED BY AMERIGLIDE

# UPPER LANDING GATE DIMENSIONS AND HANDING

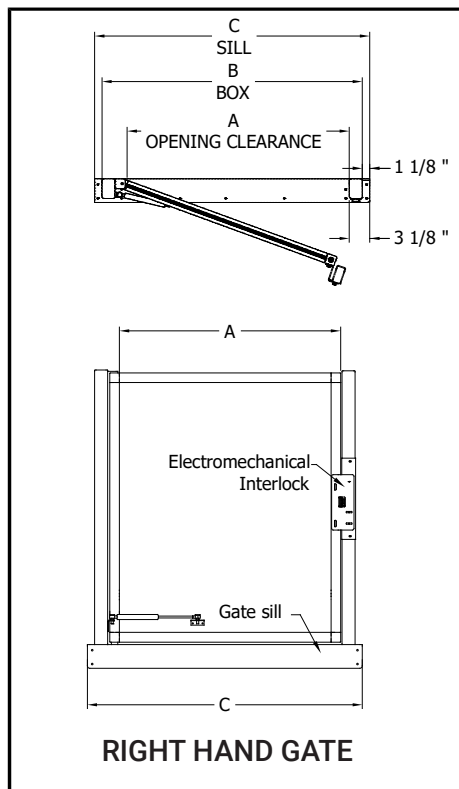
## 3. Gates

### Supplied by AmeriGlide

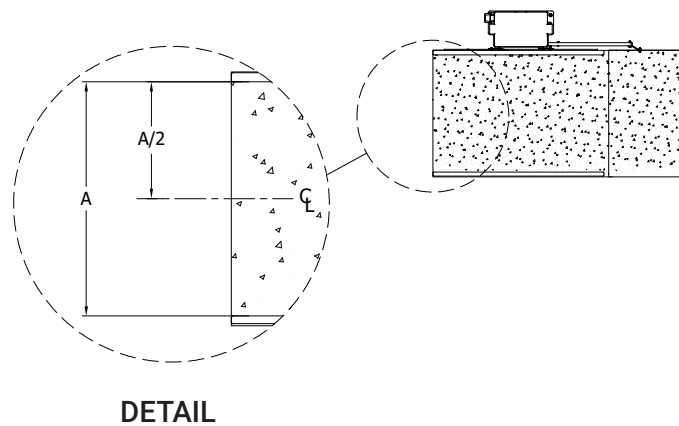
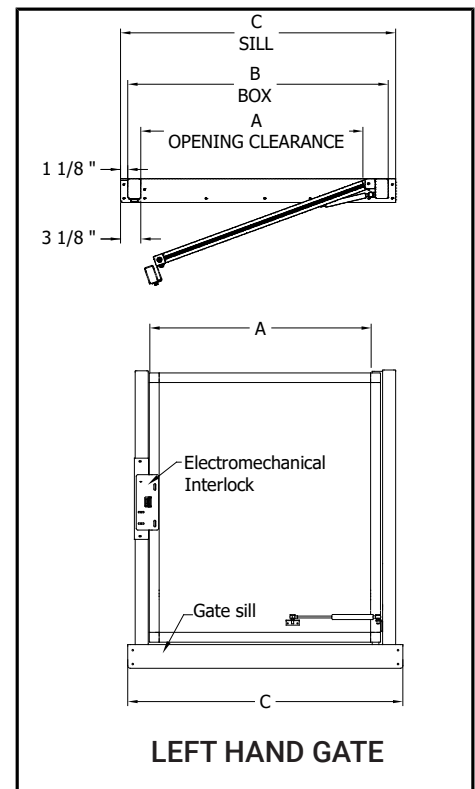
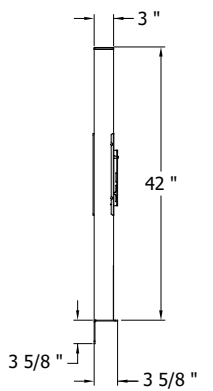
- RIGHT HAND GATE - 36" x 42"
- LEFT HAND GATE - 36" x 42"
- NOT SUPPLIED BY AMERIGLIDE

### Accessories

- RIGHT HAND GATE (INTERLOCK ONLY)
- LEFT HAND GATE (INTERLOCK ONLY)
- AUTOMATIC LANDING GATE OPENER



A	B	C
36"	42"	44 1/4"



## STANDARD INCLUSIONS

---



*Note: actual handrail may be different from the image shown.*

### Each Residential VPL Kit includes the following:

Model:	Hercules Mini
Dimension:	36" x 54"
Lifting height:	Up to 30"
Capacity:	750 lbs
Speed:	9 FPM
Color:	Atlas Gray (RAL 7047)
Motor:	1.5 hp, 24VDC motor
Power supply:	120v/ 20A (2 x 12v gel batteries)
Safety Features:	Obstruction sensor underpan limit switches emergency stop emergency lowering slip-resistant floor key lock controls brass safety nut
Installation kit:	conductors wiring quick connectors hardware shims touch up paint

### Safety Standards:

ASME A18.1  
CSA B44.1 / ASME 17.5-elevator and escalator electrical equipment.  
ICC A117.1 accessible and usable buildings and facilities (section 410)  
Electrical number QAI: E10695

### Shipping Details:

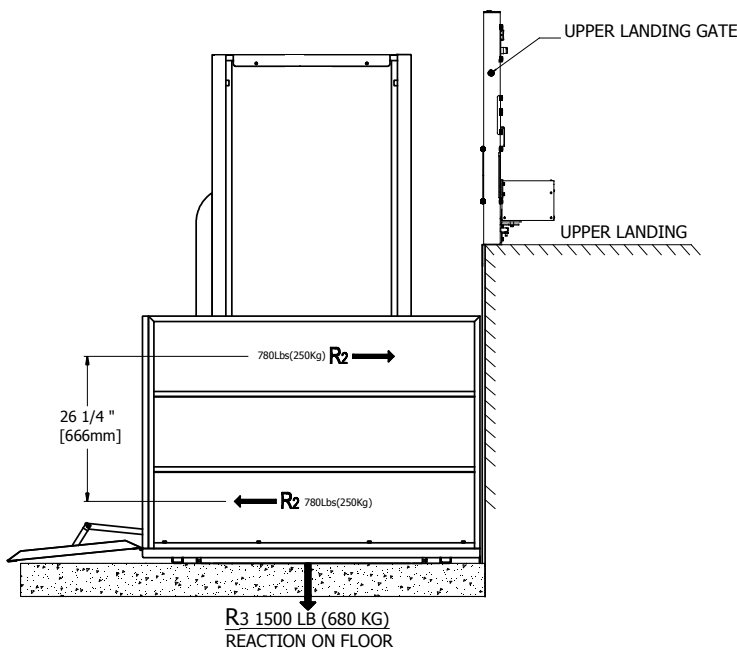
30" Model: 60" x 50" x 67"  
Weight: 810 lbs



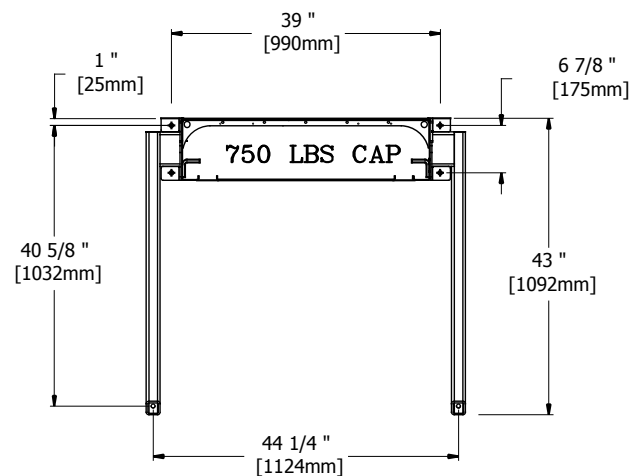
# PLATFORM LOADS

## Notes

- 1 Structural support by others. pad construction requirement may vary from state. Dimensions given are AmeriGlide recommend clearances, reflecting running and access clearances. Consult local authority to assure compliance with state and local codes.
- 2 Wall below top landing to be solid, smooth, plumb and square.
- 3 Any alterations to equipment without written authorization by AmeriGlide will void warranties.
- 4 Per ASME A18.1 section 5.1.1.1 the runway shall be guarded at the upper landing by door or gate at least 42" (1067mm) high of solid construction and provided with a combination mechanical lock and electric contact. The door shall be permitted to be opened only if the platform floor is withing 2" (50mm) of that landing.



LOADS

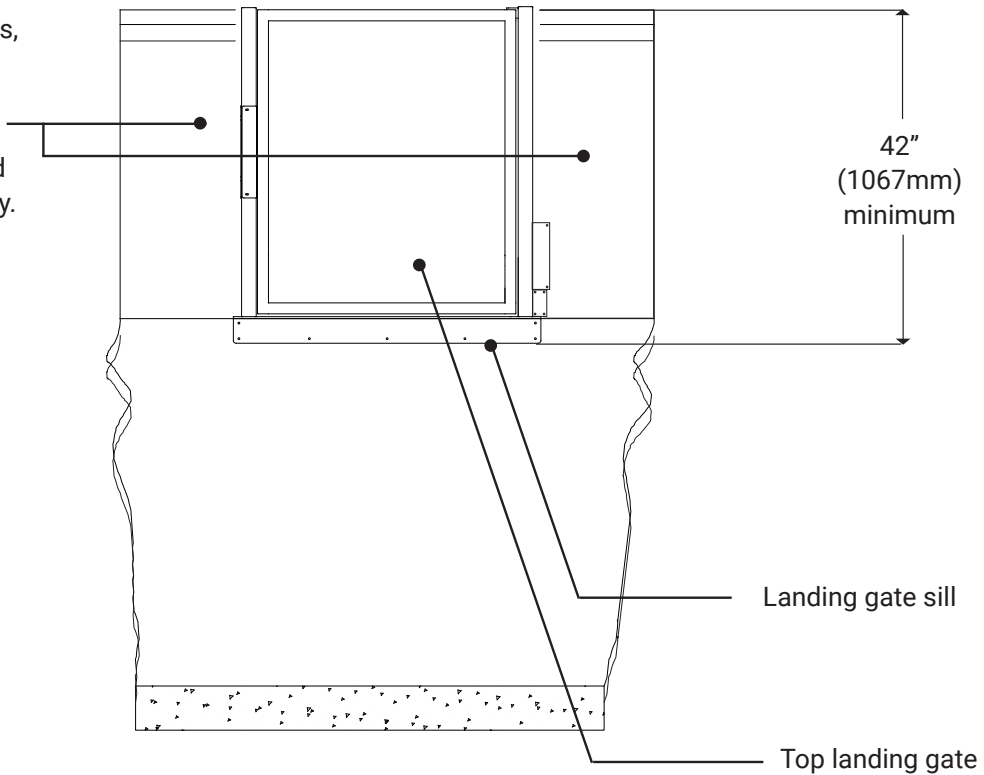


ANCHORING

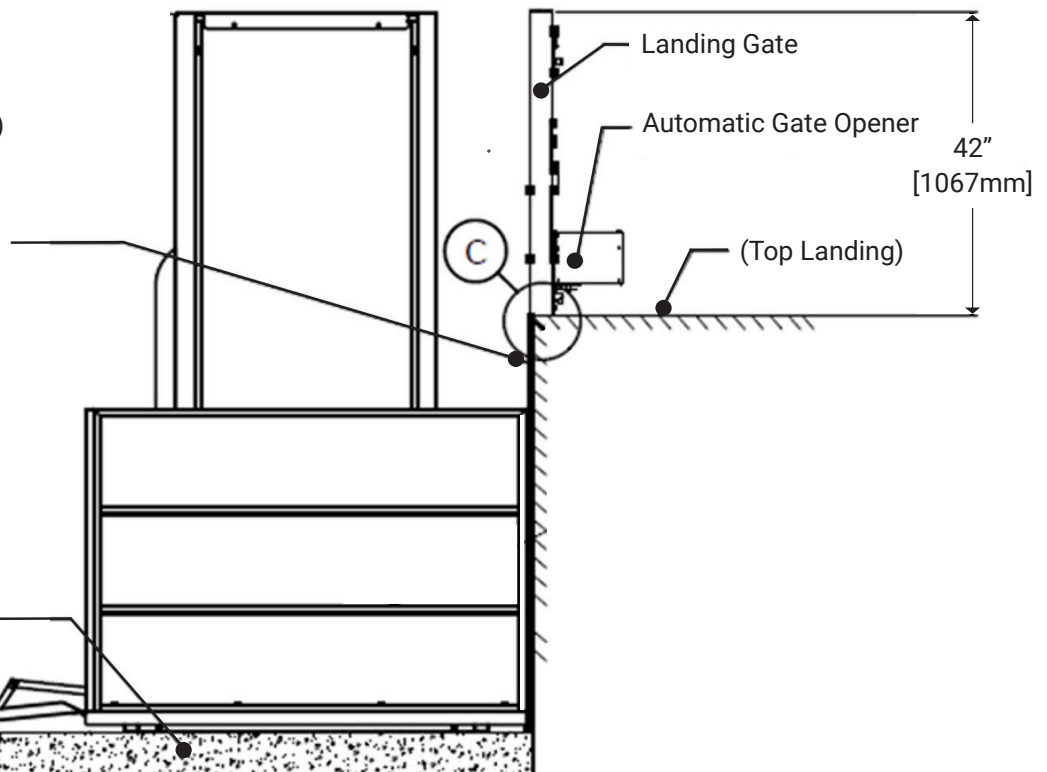
# JOB SITE REQUIREMENTS

## Verify the Job Site Requirements

Upper landing side railings, without openings. To be installed after the lifting platform is in place. They must be able to hold the landing gate assembly.



Runway must be smooth and extend 12" (single user) or 24" (user and attendee - unit with a platform gate and handrail) minimum on each side of landing gate. Otherwise, extend on all area.



- 6" concrete slab  
min 25 MPa with 5%  
to 8% air entrainment
- #9, 6" x 6"  
reinforcement mesh
- 12" of 3/4"  
crushed stone

# AmeriGlide Terms and Conditions

## Acceptance

The contract shall consist only of our offer and your acceptance of the Order Form and these terms, nothing else shall form part of the contract and be binding on either you or us. It is our responsibility to supply you with goods that meet your consumer rights. Nothing in this contract affects your statutory rights. By accepting you acknowledge and agree to have read, understood and agreed to be legally bound to the terms and conditions set out below. Unless otherwise stated, you agree to pay as follows:  
**100% payment upon signed acceptance.**

## Payment

- Payment to be made by check or ACH bank transfer only unless otherwise noted.
- If credit card payment is requested and accepted a 3% service charge will be added to the invoice.
- Overdue Invoice: A service charge of 18% annually shall apply to overdue accounts past thirty (30) days.
- If you do not pay within sixty (60) days from the billing date we may choose to do one of the following:  
1) suspend all work until the amount has been paid, or 2) declare all sums for the unexpired term of this agreement due immediately and terminate this agreement. This will void warranty and technical support.

## Cancellation Charges

The following are charges that will be applicable during the production process of items purchased.

25% of purchase value	Completion of engineering drawings
50% of purchase value	Once equipment enters production
80% of purchase value	Once production is 50% complete
100% of purchase value	Once production is 100% complete

**Note:** that once production of purchased equipment has been completed, the product is non refundable. Products are custom built and cannot be returned once completed.

## Specific Terms and Conditions

### 1. Responsibility of Purchaser

- a. Purchaser is responsible for checking the product for damages upon its arrival. Once delivery has been accepted, the purchaser accepts responsibility for the condition of the product.
- b. Purchaser is responsible for unloading delivery. Delivery to a job site requires the customer to have a forklift available, or it must be picked up at a local terminal. In some cases, not all customers can purchase forklift delivery.

## 2. Terms and Conditions of Sale

- a. In consideration of AmeriGlide Distributing 2019 performing the services herein specified, you expressly agree to indemnify, defend, save harmless, discharge, release and forever acquit AmeriGlide Distributing 2019, our officers, our employees from and against any and all claims, demands, suits, and proceedings brought against us or our employees of any nature whatsoever, including but not limited to loss, damage, injury or death that are alleged to have arisen from or alleged to be in connection with misuse, maintenance, operation or condition of the equipment covered by this agreement.
- b. Typical lead time for delivery can vary based on product.
- c. Production lead time begins upon receipt of signed approval drawings and execution of contract terms.
- d. A **maximum of 2** engineered drawing revisions are included in this contract price. Subsequent revisions are chargeable at \$245 per change request.
- e. Change orders must be communicated with a signed change order request document approved by both parties and may be subject to additional cost(s).
- f. **Storage fees:** Equipment may be stored for up to 10 business days after the requested equipment delivery date at no charge. Additional storage is available at \$50/day.
- g. Quotes are valid for 7 business days from the date of issue, quotes older than 7 business days may be subject to repricing.
- h. Installation must be completed within 1 year of contract acceptance or price increase may result.
- i. **Attorney Fees.** In the event that there is any controversy or claim arising out of or relating to this Agreement, or to the interpretation, breach or enforcement thereof, and any action or proceeding is commenced to enforce the provisions of this Agreement, the prevailing party shall be entitled to a reasonable attorney's fee, costs and expenses.
- j. Any overdue invoice past 60 days will void the warranty. Interest will be applied.
- k. We reserve the right to deny turn-over of equipment until the complete payment has been received.
- l. Warranty is valid for two (2) years on all parts from the date of shipping.
- m. Installation must be completed by a trained licensed professional. Failure to have a trained licensed professional may result in voiding all warranties.
- n. Any **third party installation** (Installation completed by anyone other than an AmeriGlide Distributing 2019 or their agent and paid separately from this contract) comes with a one hour of free technical service. Each call will be counted as a minimum 15 min call. All technical service calls after the included hour will be billed at \$200 per hour with a minimum call / charge of \$50.00 for 15 mins. This does not include the initial hold time and must be paid in advance on a valid credit card. All technical service call fees are non refundable.
- o. Any **third party installation** (as indicated above) revokes any right to sue for component breakage, injury related to use, or damage related to other third parties in the form of prejudice or delays in the face of malfunctions of the product or improper installation by that third party.
- p. **Ownership Clause:** Until the product is fully paid, the product shall remain the property of AmeriGlide Distributing 2019 ("AmeriGlide"). In the event that the full payment is not received in accordance with the agreed terms, AmeriGlide reserves the right to retake possession of the product without further notice. The customer acknowledges and agrees that AmeriGlide has a security interest in the product until full payment is received.



By signing this agreement, the customer agrees to drawings detailed in previous pages and acknowledges and agrees to the above mentioned terms.

**Shipping Information:** **Type of Delivery:**

Contact \_\_\_\_\_

Phone \_\_\_\_\_

Address \_\_\_\_\_

City \_\_\_\_\_

Province / State \_\_\_\_\_

Postal Code / ZIP \_\_\_\_\_

Pick-up at Terminal

Loading Dock

Liftgate - Ground Delivery

Onsite Forklift

Flatbed and Forklift

Purchaser Signature: \_\_\_\_\_

Date: \_\_\_\_\_

Printed Name: \_\_\_\_\_

Title: \_\_\_\_\_

